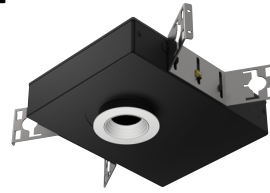


1" Acrobat Shallow Plenum LED Baffle Downlight

IC/CP Shallow Plenum Housing

Round or Square / Trimmed or Trimless



Wattage	CCT	Delivered Lumens	Efficacy
10W	3000K	781lm	78lpw

Lumens will vary depending on CCT, optic & lens option

Description

- Acrobat Air Tight IC/Chicago Plenum downlight delivers up to 781lm through a 1" aperture with four optical distributions. Delivered lumens are maintained in different ceiling thicknesses.
- Driver and LED are serviceable from below ceiling, access to branch circuit requires above ceiling access

Field Replaceable LED Light Engine

- 10W LED with 2 SDCM binning
- 2700K, 3000K, 3500K, or 4000K at 90 CRI
- Field replaceable optics available in spot, narrow, flood, or wide flood
- 50,000 hours at 70% lumen maintenance (L70)

Field Replaceable Dimming Driver

- Power factor > 0.9, 50/60Hz
- 120-277V input
- 0-10V Dimming
- TRIAC & ELV dimming (120V only)
- Complies with IEEE62.41 surge protection

Housing

18 gauge galvanized steel housing and junction box with 1/2" trade size knockouts. Includes universal butterfly brackets to accommodate C-Channel, adjustable bar hangers, and EMT. C-Channel is recommended for T-bar ceilings and must be ordered separately. Adjustable wood joist bar hangers are included.

Ceiling Thickness

- Standard collar accommodates 1/2" to 5/8" ceiling thickness.
- Extended collar accommodates 1/2" to 1-1/4" ceiling thickness.
- Ultra long collar accommodates 1/2" to 2" ceiling thickness.
- See line drawing for minimum plenum depth requirements.

Accessories

Accommodates up to two media accessories with frosted, solite, clear, and linear spread medias. Accommodates one media when hex louver is selected. Media holder accessory required to fit media.

Shower Trim

Optional frosted, solite, or clear shower trim available. Suitable for wet location installations.

Reflector Options

- Round reflectors available in 4 different powder coated and specular finishes.
- Square reflectors available in 4 different powder coated finishes.

Flange Options

- Round and Square flanges available in 4 different powder coated finishes
- Flanged or trim less options

Emergency

Remote emergency battery backup system available

Listing/Warranty

- Five (5) year limited warranty
- UL listed to US and Canadian standards for damp locations
- UL listed to US and Canadian standards for wet locations when shower trim is installed
- Meets ASTM E283 standards
- Meets CEC Title 24 JA8 High Efficacy LED requirements
- Can be used to comply with 2016 Title 24 Part 6 high efficacy LED light source requirements
- CCEA approved – Chicago rated



JA8 TITLE 24 COMPLIANT

Housing Order Matrix (Example: A1-SP10S2730-R00)

Type	Wattage	Driver	CCT / CRI	Optic	Aperture	Collar Shape	Rev	Ceiling Thickness	Hanger Bar
A1-SP (IC/CP)	10 (10W)	S ^{1,2} (ERP, Universal Dim, Triac/ELV/0-10V 1% 120-277V) SR1 (Remote ERP, Universal Dim, Triac/ELV/0-10V 1% 120-277V)	27 (2700K / 90 CRI)	10 (Spot)	-R (Round)	(blank) (Flanged)	00	(blank) (Up to 5/8")	(blank)
			30 (3000K / 90 CRI)	30 (Narrow Flood)	-S (Square)	TL (Trimless)		-1 (Up to 1-1/4")	(Standard)
			35 (3500K / 90 CRI)	50 (Flood)				-2 (Up to 2")	-LCB-24 (24" C-Channel)
			40 (4000K / 90 CRI)	80 (Wide Flood)					-LCB-48 (48" C-Channel)

1. Forward and reverse phase dimming at 120V only
2. Driver is accessible from below ceiling

Trim Order Matrix (Example: A1-2RWH-WH-NL-00)

Trim	Aperture	Reflector Finish	Flange Finish	Optional Shower Trim	Rev
A1-2	R (Round) S (Square)	WH (White)	(blank) (Trimless)	-NL (No Lens - damp location)	-00
		BL (Black)	-WH (White)	-FR (Frosted - wet location)	
		SA (Satin Aluminum)	-BL (Black)	-MP (Solite - wet location)	
		BZ (Bronze)	-SA (Satin Aluminum)	-CL (Clear - wet location)	
			-BZ (Bronze)		

Accessories (Note: Media holder required)

- A1-MHLDR (Media Holder- required)
- A1-HEX (Hex Louver)
- A1-FR (Frosted Lens)
- A1-MP (Solite Lens)
- A1-CL (Clear Lens)
- A1-LS (Linear Spread Lens)

Optics

- A1-10-OPTIC (10° Spot)
- A1-30-OPTIC (30° Narrow Flood)
- A1-50-OPTIC (50° Flood)
- A1-80-OPTIC (80° Wide Flood)

Emergency Battery Backup

- EM-1000 (25W LED Remote Inverter)
- EM-1002 (10W LED Remote Emergency Driver)
- EM-1003 (35W LED Remote Inverter)
- EM-1004 (50W LED Remote Inverter)

1" Acrobat Shallow Plenum LED Baffle Downlight

IC/CP Shallow Plenum Housing
Round or Square / Trimmed or Trimless

Catalog #:

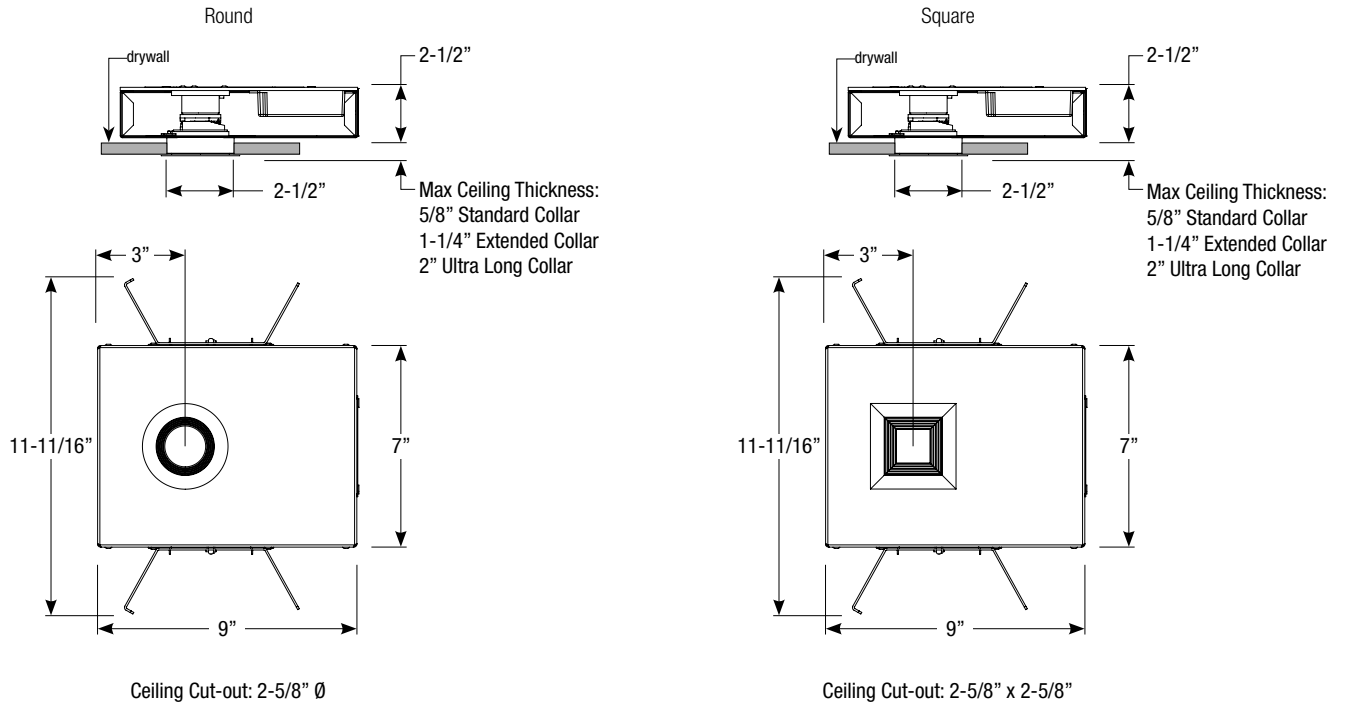
Type:

Project:

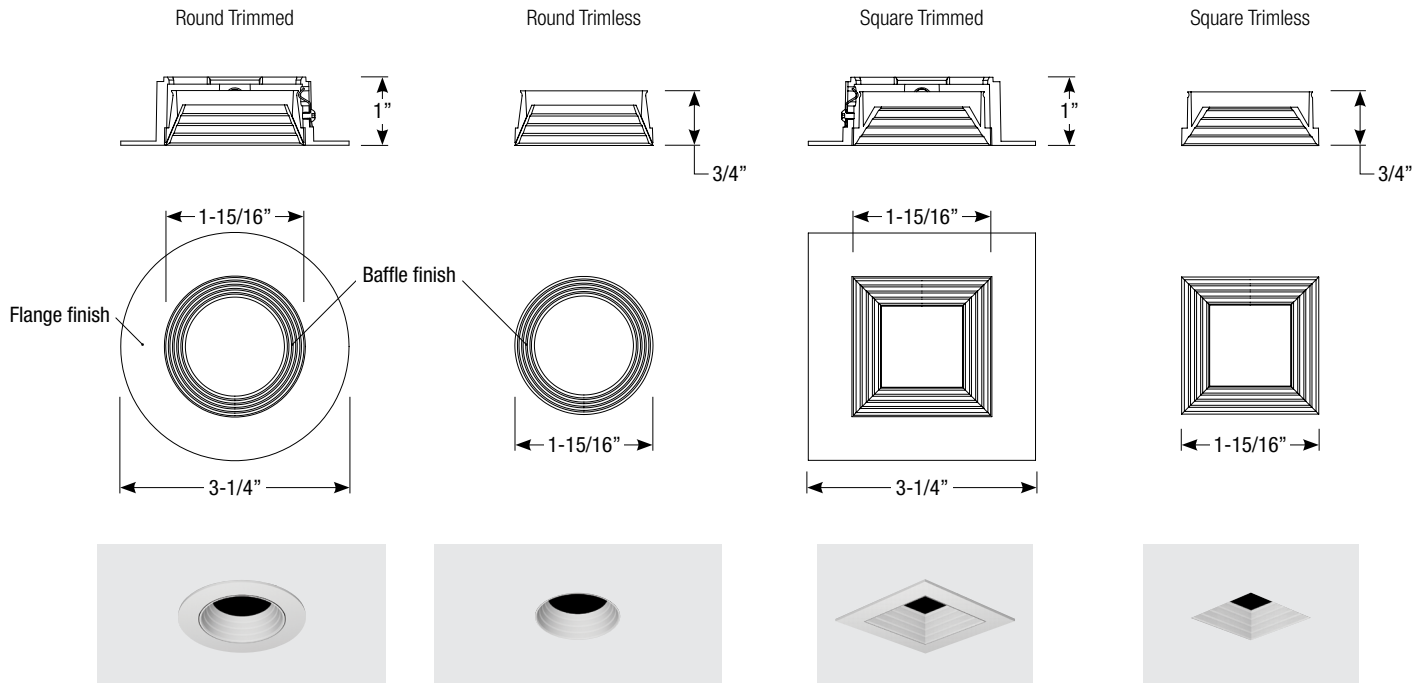
Date:

Notes:

Housing Dimensions



Trim Dimensions



Spec-00060 Revised 10/24/2022